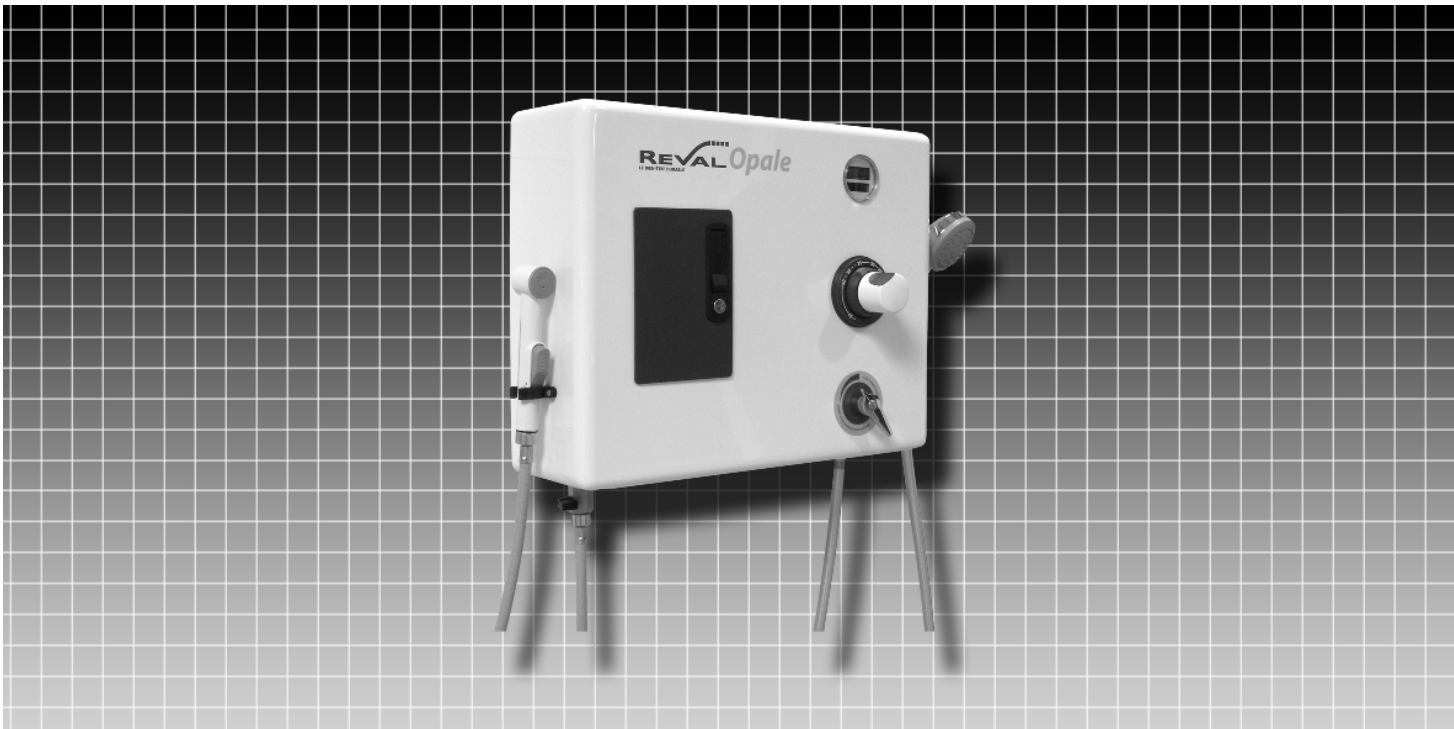


EN Instruction manual



SHOWER PANEL with secured disinfection system

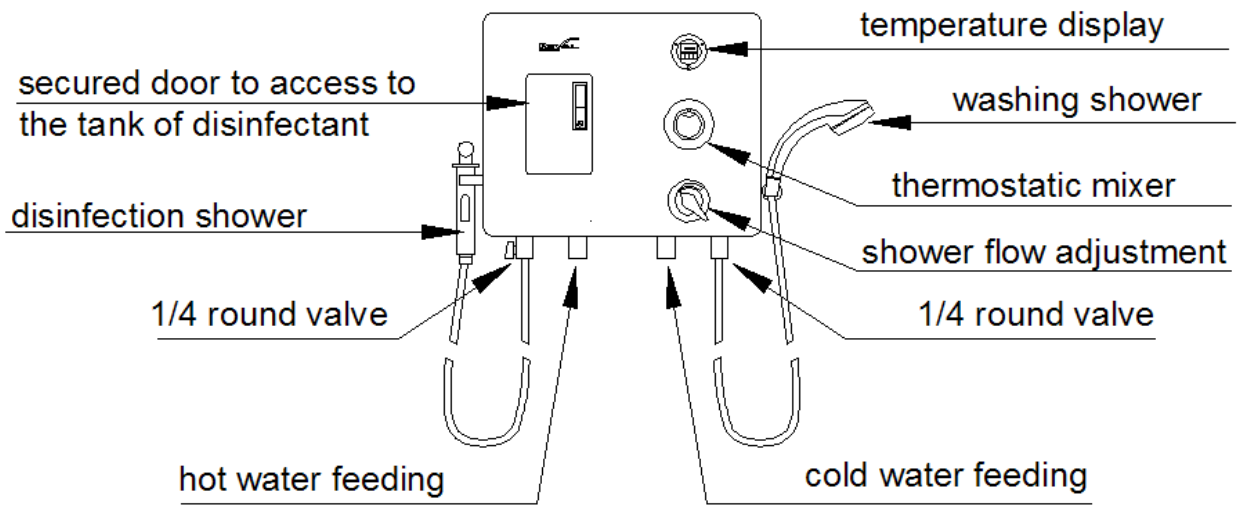
**OPALE**

3011.00

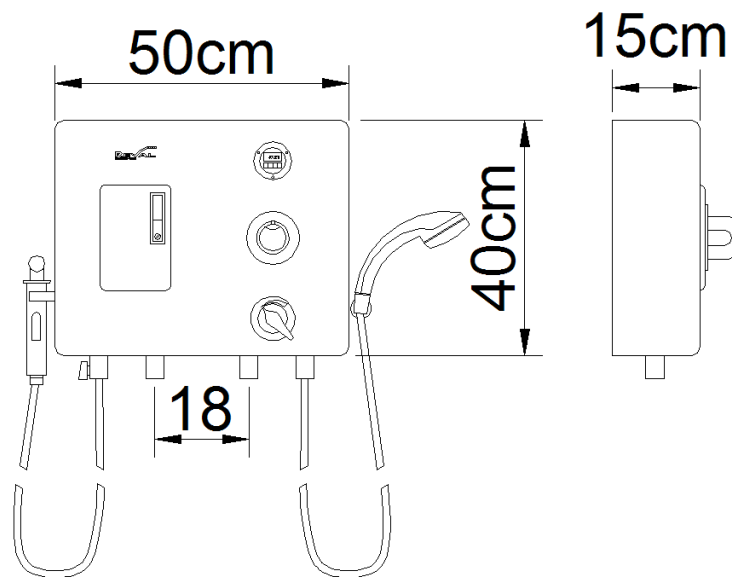
# SUMMARY

<b>CONTENTS</b>	<b>PAGES</b>
GENERAL DRAWING	2
-----	-----
DIMENSIONS	2
-----	-----
TECHNICAL SPECIFICATIONS	3
-----	-----
RANGE OF APPLICATION	3
-----	-----
DIRECTIONS FOR USE	
THERMOSTATIC MIXER – OPERATION	4
WASHING OF PATIENT	4
ANTI-BURN SAFETY DEVICE	4
DISINFECTION	4
-----	-----
MAINTENANCE	
ADDITION OF DISINFECTANT	5
CLEANING OF THE CONTROL PANEL	5
-----	-----
MAINTENANCE FORM (LOGBOOK)	6
-----	-----

## GENERAL DRAWING



## DIMENSIONS



## TECHNICAL SPECIFICATIONS

### MODELS:

**REF. 3011.00** Shower panel "OPALE" with thermostatic mixer.

### DATAS:

- Steel frame anti-corrosion coated.
- Cover in white polyester.
- Thermostatic mixer - 18 l/min
- Mixer with non-return lids and anti-burn protection.
- Disinfection shower handset with trigger.(yellow hose)
- Cleaning shower.
- Door to access to the tank of disinfectant secured by lock with key.
- Suction device of the disinfectant product with stop valve and 1 liter tank.
- Digital temperature display.

### CONFORMITY:

- 73/23/CEE.
- 89/336/CEE.
- NF EN 60335-1.
- NF C 15-100.

## RANGE OF APPLICATION

The 3011.00 Opale control panel has been studied to wash patients on shower trolley and to make the disinfection of mattress, pillow, wall of bathtub...

The shower panel must be used only by qualified people who have read and understood the user manual.

The shower panel is intended to be used only for wash patient.

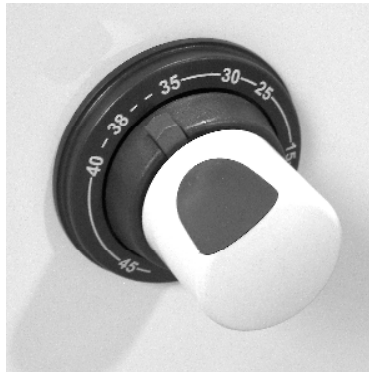
**Never use the disinfection shower on the patients.**

***! The manufacturer will not be responsible if the product is used, changed or assembled in other way than prescribed in this manual.***

## **DIRECTIONS FOR USE**

### ***THERMOSTATIC MIXER - OPERATION :***

The thermostatic mixer located on the control panel allows to adjust the water temperature of the cleaning shower only. During use, if you need a water temperature upper to 40°C, push the red index and turn the button counter clockwise. To adjust the water temperature, turn the button of the mixer.



**Check, before each use, the temperature of the water.**

### ***WASHING OF PATIENT :***

Take the washing shower and see to always turn it towards the shower cabinet or the shower trolley.

**Check water temperature.**

To clean patient, press the pawl of the shower.  
Once cleaning finished, turn off the valve.

### ***ANTI-BURN SAFETY :***

**If breaking of cold water feeding occurs, risks of burn are avoided.**

### ***DISINFECTION :***

Take the disinfection shower (**yellow** flexible).  
Carefully sprinkle parts to disinfect.

**Do not use the disinfection shower on the patient.**

**Wait in order to respect the action time prescribed in accordance with the disinfectant used. Action time: 2 minutes for B.F.R. 4.0. product.**

Carefully rinse them with the cleaning shower, in order to eliminate any trace of bactericide.

## MAINTENANCE

### 1- ADDITION OF DISINFECTANT :

The control panel is equipped with an automatic system to determine the quantity of disinfectant.

#### **The disinfection system includes :**

- 1 liter tank receiving the disinfectant product.
- 1X plunger with calibrated tube, located in the tank, and connected by a flexible going through the top of the venturi (white plastic part).
- 1 disinfection shower.(yellow hose)

#### **Dilution :**

The mixing of water and disinfectant inside the disinfection shower is made in 2 stages :

##### **First :**

Manual dilution inside the tank.

##### **Second :**

The suction device (venturi) ensures a dosage of 10% of the aspirated product from the tank.

##### **Exemple :**

The disinfectant BFR 4.0 must be used with a final dilution of 0,4%.

- 1) Manual dilution inside the tank at 4%, that is 40ml of BFR 4.0 for 960ml of water.
- 2) Complementary dilution of 10% ensured with **cold water** by the suction device (venturi).

Once the diluted product is added to the tank, any unused solution will need to be discarded and refreshed after one week.

### 1- CLEANING OF THE CONTROL PANEL

Only use liquid products (liquid soap).

**Do not use abrasive products like "scouring cream".**

# MAINTENANCE FORM (LOGBOOK)

Control date	Cleaning of filter cartridge of mixer	Cleaning of the showers	Observations	Corrections	Agent (name and signature)



**FRANCE :**

Reval®

Z.A. Fief des Prises

Usseau 17220 Sainte Soulle

Tel: (33) 05.46.42.04.16

Fax: (33) 05.46.43.06.38

[www.groupe-reval.com](http://www.groupe-reval.com)

**UNITED KINGDOM :**

Reval® Continuing Care Limited

Unit 17 Brynmenyn Busines Centre

St Theodore's Way - Brynmenyn

CF32 9TZ BRIDGEND - WALES

Tel: 01656 721 001

Fax: 01656 720 006

[www.reval-group.com](http://www.reval-group.com)