

# SIDE DOOR SEAT BATHTUB « CALECHE » REF: 4500.10 - 4500.20 - 4504.00

## DIRECTIONS FOR USE AND MAINTENANCE

Bathtub "Caleche", white colour, "Senior" model	ref. 4500.10
Bathtub "Caleche", white colour, "Professional" model	ref. 4500.20
Bathtub "Caleche", white colour, "Whirlpool" model	ref. 4504.00



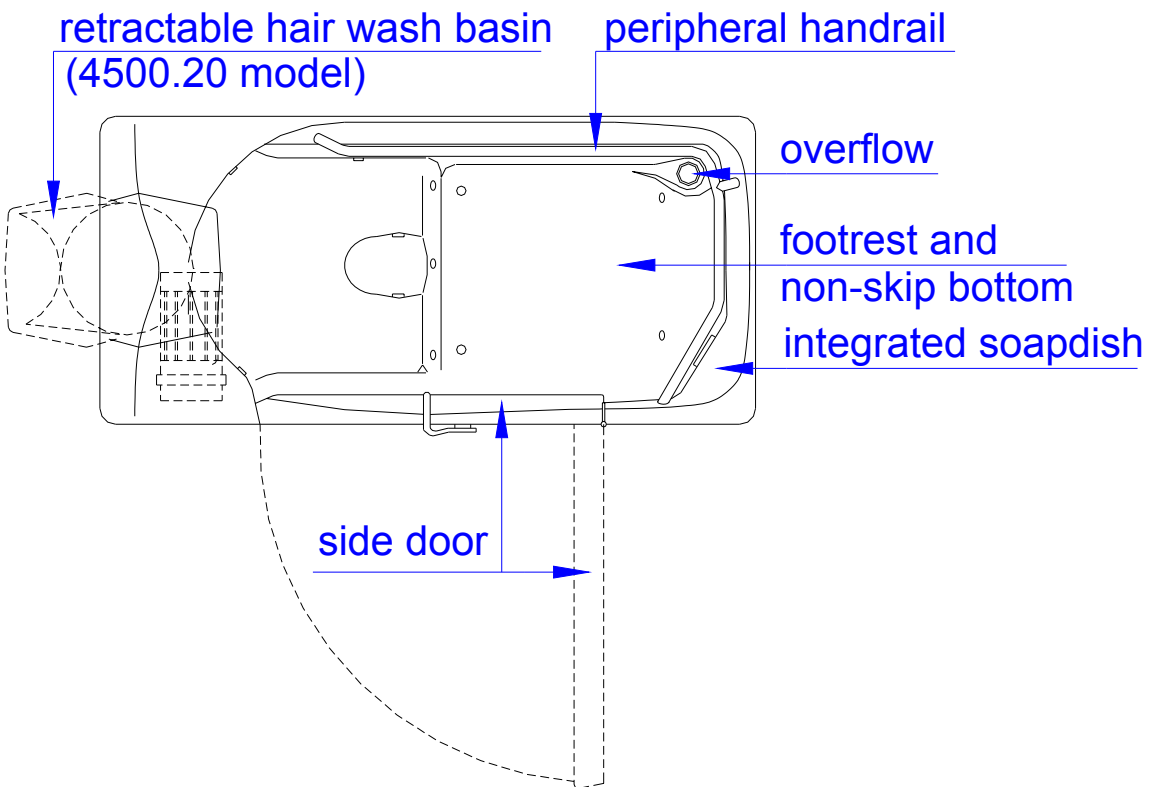
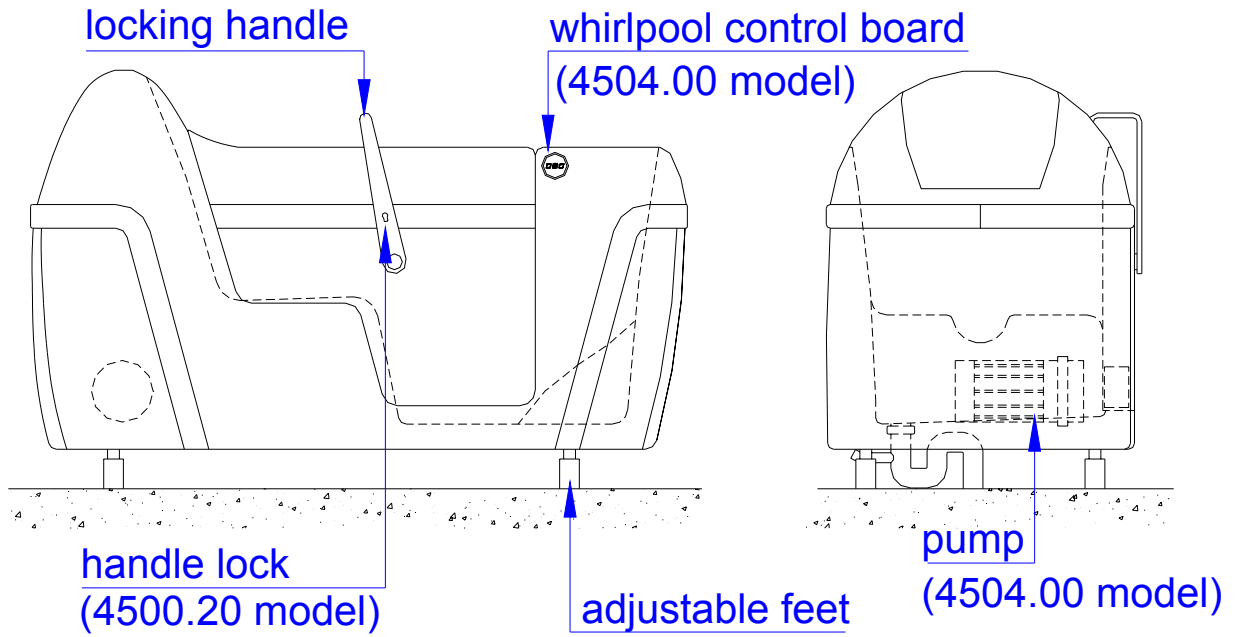
Z.A. Fief des Prises  
Usseau 17220 Sainte Soulle  
Tel: (33) 05.46.42.04.16  
Fax: (33) 05.46.43.06.38

**It is essential to read these directions for use before using your bathtub.**

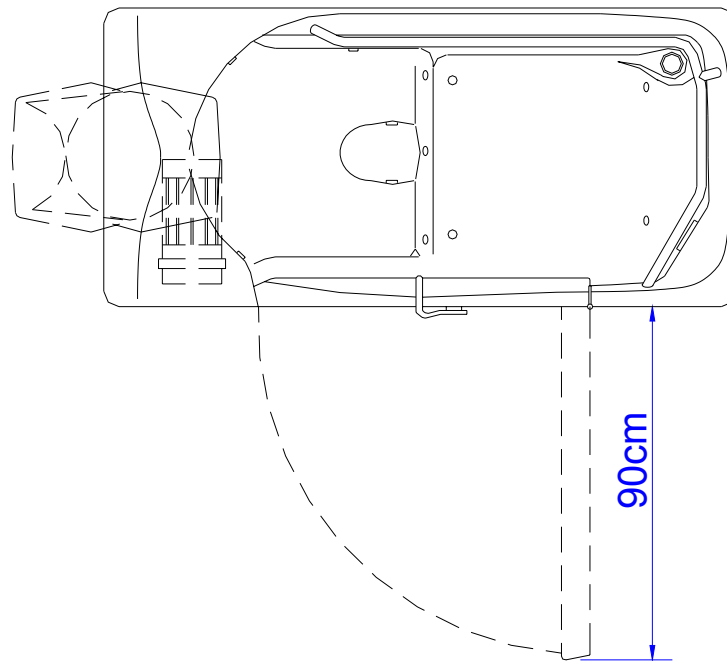
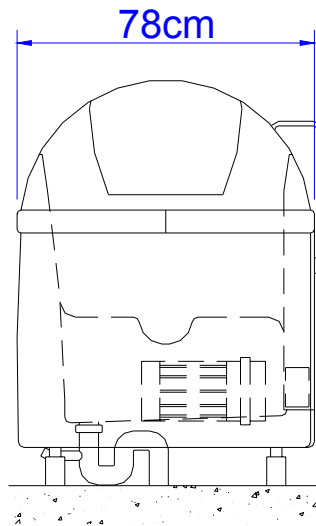
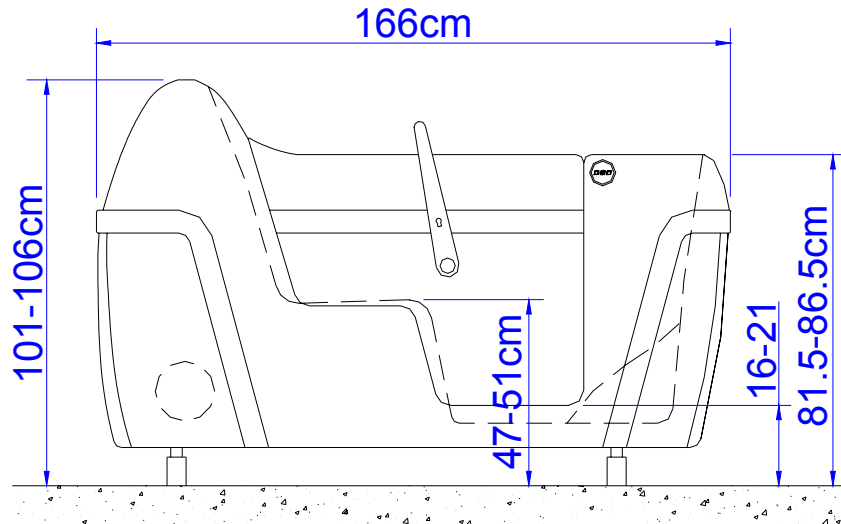
**- SUMMARY -**

<b>CONTENTS</b>	<b>PAGES</b>
GENERAL DRAWINGS	2
-----	-----
DIMENSIONS	3
-----	-----
TECHNICAL SPECIFICATIONS	4
-----	-----
OPERATION	4
-----	-----
DIRECTIONS FOR USE	5
-----	-----
HAIR WASH BASIN	5
-----	-----
AIR WHIRLPOOL	5
-----	-----
PERIODIC INSPECTION	6
-----	-----
MAINTENANCE	7
-----	-----
MAINTENANCE FORM (LOGBOOK)	8
-----	-----
DIAGNOSIS AND SEARCH OF SOLUTIONS IN CASE OF DISFUNCTIONING	9
-----	-----

**GENERAL DRAWINGS**



**DIMENSIONS:**



## **TECHNICAL SPECIFICATIONS:**

### **GENERAL :**

4500.10 (Senior Model) 4500.20 (Professional Model) 4504.00 (Whirlpool Model) :

- Reinforced fiberglass tub, white colour.
- Footrest and non-slip bottom.
- Integrated soapdish.
- 4 adjustable feet (adjustable on 5cm).
- Patented waterproofness system.
- Locking handle accessible from inside.
- Draining by trap Ø50mm and overflow Ø38mm.
- Door for draining access.
- Integrated stainless steel peripheral handrail.
- Water volume: 205 liters
- Maximum water level: 100 cm
- Weight of the bathtub: 80-85 kg
- Maximum patient weight: 200 kg

4500.20 (PROFESSIONAL MODEL) :

- Integrated and retractable hair wash basin, connected to the trap.
- Lock.

4504.00 (WHIRLPOOL MODEL) :

- 12 nozzles equipped with anti-return valves.
- Pump, 700W, 220/230V, 50hz.
- Heater, 300W
- Control panel with sensory control feeding low voltage (5V).
- Sensory control for adjustment control of injection of air.
- Luminous diodes.
- Differential circuit breakers 30mA and dividing transformer no supplied.

### **OPERATION:**

The "Caleche" is a bathtub with a wide side door that allows patient to access directly from a wheelchair.

With reduced dimensions, this bathtub has the advantage of inside lines designed for the patient's comfort and safety.

For the "4504.00 Air whirlpool" model, that is injection of air under pressure with adjustable flow through 12 nozzles equipped with anti-return valve and set at the bottom of the bathtub.

## DIRECTIONS FOR USE:

 **Never move the bath.**

- 1) Opening of the door :
  - Operate the locking handle turning it round.
  - Open the door.
- 2) Install the patient into the bath.
- 3) Closing of the door :
  - Close the door.
  - Lock the door turning the handle round.

 **Check that the door is correctly closed before to fill the bath.**

- 4) Fill the bath.
- 5) Drain the bath taking out the overflow. (used as plug top)

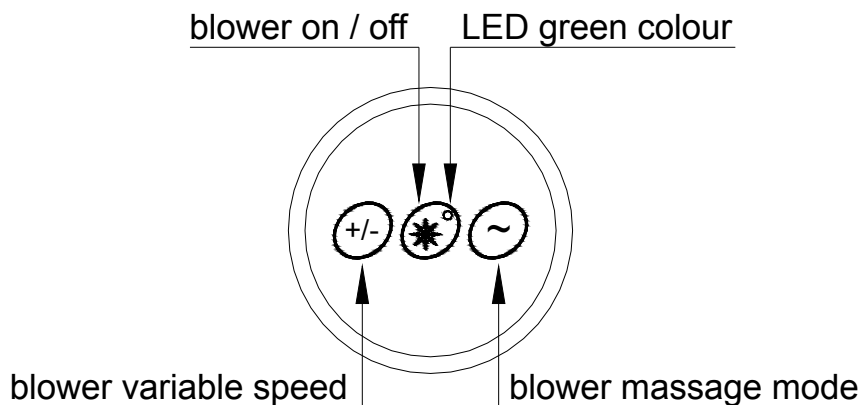
 **Do not open the door before the complete draining of the bath.**

## HAIR WASH BASIN:


**Opening :** Turn the hair wash basin round back.

**Closing :** Operate the support catch located on the side of the hair wash basin.  
Turn the hair wash basin round forward.

## AIR WHIRLPOOL:



 **Auto switch off :** 30 minutes after the user operates one of the buttons the last time, the blower will switch OFF automatically.

 **Drying cycle :** 30 minutes after manual or auto switch OFF, the blower starts up at High Speed for 2 seconds. Then it drops to Low Speed and increases gradually to High Speed within half a minute. Then it continues running 4 or 5 minutes at High Speed.

## **PERIODIC INSPECTION:**

1) Periodic inspection of the bathtub should be undertaken at the time intervals stated by the manufacturer, but at least once a year. By periodic inspection is meant a visual examination on all the functions of the bathtub (opening and closing of the door, waterproofness of the door, electric parts for "Air whirlpool" model).

2) Periodic inspection should be performed by a person who is suitably and properly qualified and well acquainted with the design, use and care of the bathtub. The scope of the periodic inspection should be included in the manual supplied with the bathtub.

3) Any observations of importance for the safety of the bathtub should be noted, preferably in a logbook which should be retained by the person (s) responsible for the servicing / maintenance of the bathtub.

The date when corrective actions are taken, in response to noted observations, should also be noted in the logbook.

4) A record of the date of inspection of the bathtub and inspection result should be noted in the logbook together with the signature of the inspector.

5) If periodic inspection reveals any defect, wear or other damage that jeopardises the safety of the bathtub, the owner should immediately be notified.


In the event of immediate danger to safety, the bathtub should immediately be taken out of service. It may then not be used until the deficiency has been eliminated.

6) Defects and damages of importance to the safety of the bathtub that have occurred between inspections and have already lead to corrective actions should be entered in the logbook.

7) Defects and damages should be reported back to Reval for action. This feedback should be reported in the logbook.

## **MAINTENANCE:**

### **VERY IMPORTANT :**


 **Pass regularly from talc on the rubber seal of the door.**

### **CLEANING OF THE BATHTUB AND THE HAIR WASH BASIN :**

Use only liquid products (liquid soap).

Do not scratch the "Gelcoat" cover of the tub; it is forbidden to use abrasive products as "scouring powder or cleaning creams".

Furthermore, to eliminate all the calcareous marks left by the water circulation, Reval advises to use the scaler (Gel Servex).

 **Do not swill down the outside part of the tub.**



**MAINTENANCE FORM (LOGBOOK):**

Control date	Safety parts (rubber seal of the door) (electric parts)	Observations	Corrections	Agent (name and signature)

## DIAGNOSIS AND SEARCH OF SOLUTIONS IN CASE OF DISFUNCTIONINGS:

EFFECTS	REASONS	SOLUTIONS
<b>Water leakage at the level of the door.</b>	<ul style="list-style-type: none"> <li>- The seal joint of the door may be damaged.</li> <li>- The door may be badly adjusted.</li> <li>- Other problem.</li> </ul>	<ul style="list-style-type: none"> <li>- Check the seat joint condition and contact the Reval Group if this one is damaged.</li> <li>- Check the door adjustment, if this one is displaced. If it is, adjust the hinge.</li> <li>- Contact Reval.</li> </ul>
<b>Water leakage at the level of the plug.</b>	<ul style="list-style-type: none"> <li>- Check the trap connection.</li> <li>- Check the plug assembling on the bath (1 butt joint, 1 nut).</li> <li>- Other problem.</li> </ul>	<ul style="list-style-type: none"> <li>- If there is a leakage at this level, reassemble the trap with joints.</li> <li>- Contact Reval.</li> </ul>
<b>The whirlpool does not work</b>	<ul style="list-style-type: none"> <li>- The control panel doesn't work.</li> <li>- The electronic card does not work.</li> <li>- The compressor does not work.</li> </ul>	<ul style="list-style-type: none"> <li>- Check the connection.</li> <li>- Contact Reval.</li> <li>- Check the feedings or contact Reval.</li> </ul>

