

EN Instruction manual



Electric Hi/Lo Bathtub

## **BAGHEERA**

7601.01 (control panel on the right side)

7601.02 (control panel on the left side)

# SUMMARY

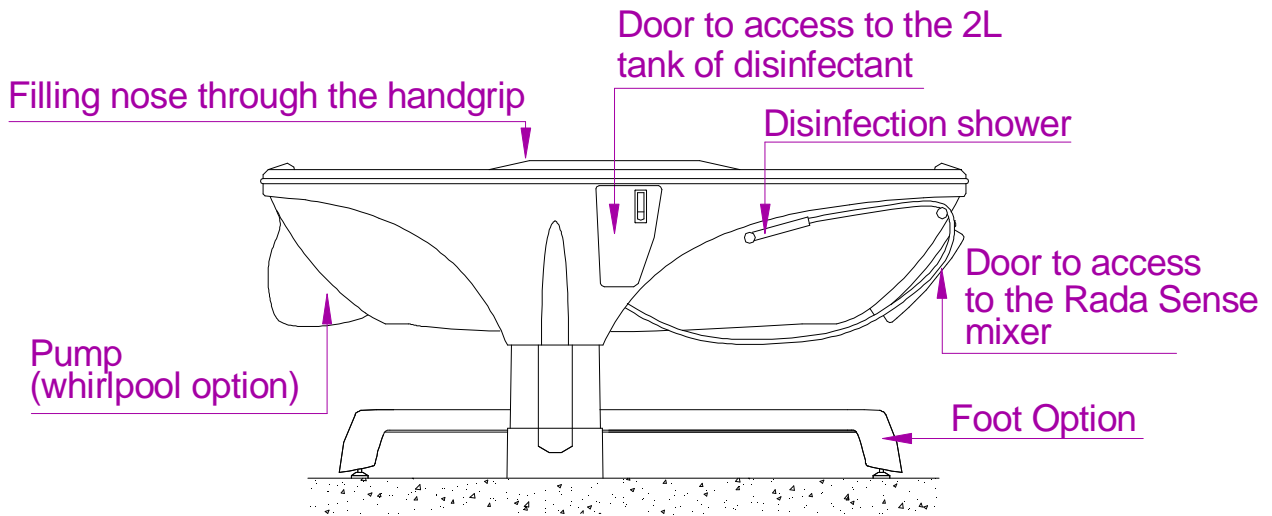
## CONTENTS

## PAGES

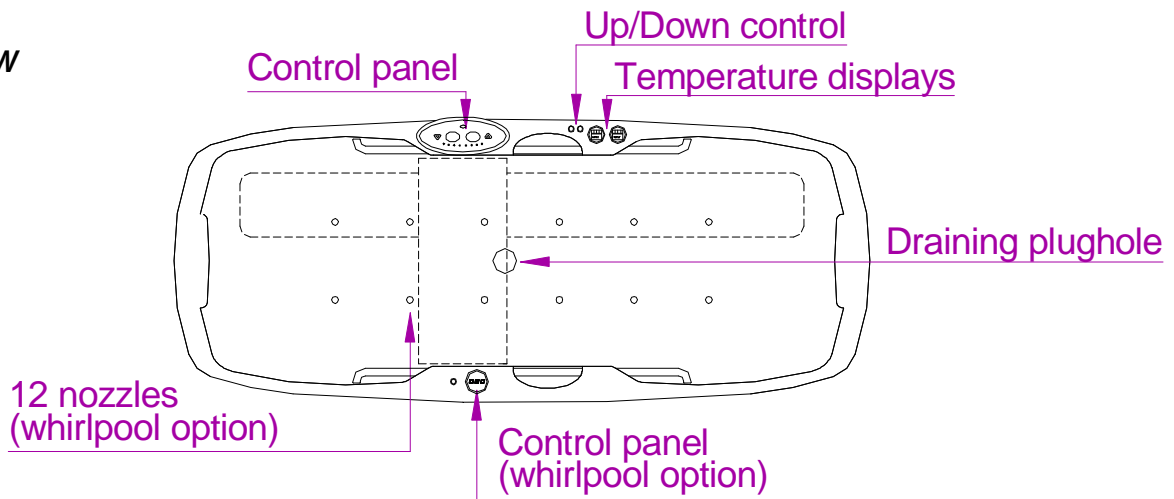
GENERAL DRAWINGS	2
-----	
DIMENSIONS	3
-----	
TECHNICAL SPECIFICATIONS	4
-----	
SAFETY INSTRUCTIONS AND WARNINGS	5
-----	
OPERATION	
UP/DOWN	6
ANTI-CRUSHING DEVICE	6
DRAINING PLUG OPERATION	6
CONCEALED DIGITAL MIXING VALVE RADA SENSE	7
TEMPERATURE DISPLAYS	7
BATH FILL	8
CLEANING SHOWER HANDSET	8
DISINFECTION SHOWER HANDSET	8
DISINFECTION SYSTEM	9
AIR WHIRLPOOL ( IN OPTION)	10
CHROMOTHERAPY (IN OPTION)	10
AROMATHERAPY (IN OPTION)	11
AUDIO SPA (IN OPTION)	12
-----	
INITIALISATION PROCEDURE FOR HI/LO ELECTRIC ACTUATORS	13
-----	
PERIODIC INSPECTION	14
-----	
CLEANING / MAINTENANCE	15
CLEANING OF BATHTUB AND CONTROL PANEL	15
CLEANING OF THE HOT AND COLD WATER FILTERS	15
CLEANING OF THE AIR WHIRLPOOL SYSTEM	15
-----	
MAINTENANCE FORM (LOGBOOK)	16
-----	

# GENERAL DRAWINGS

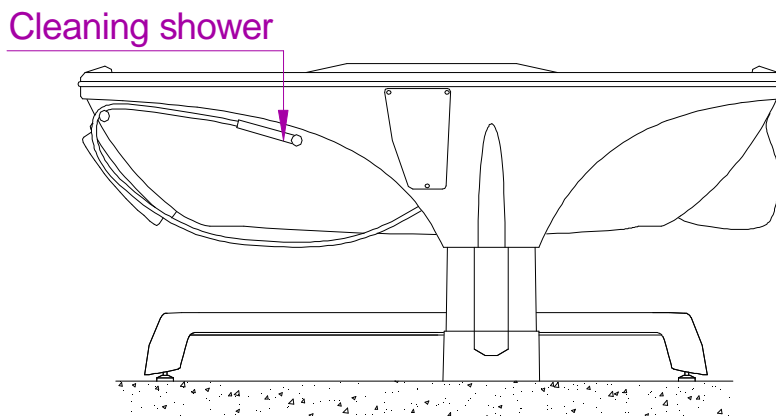
## LEFT VIEW



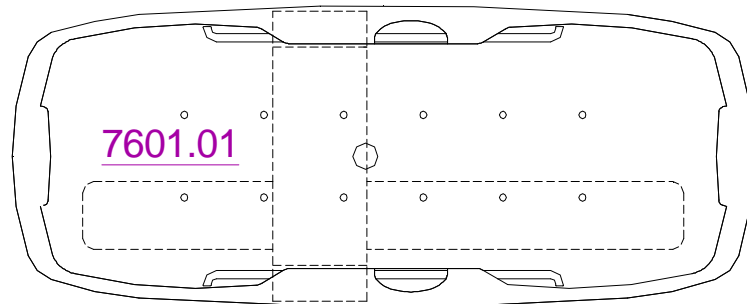
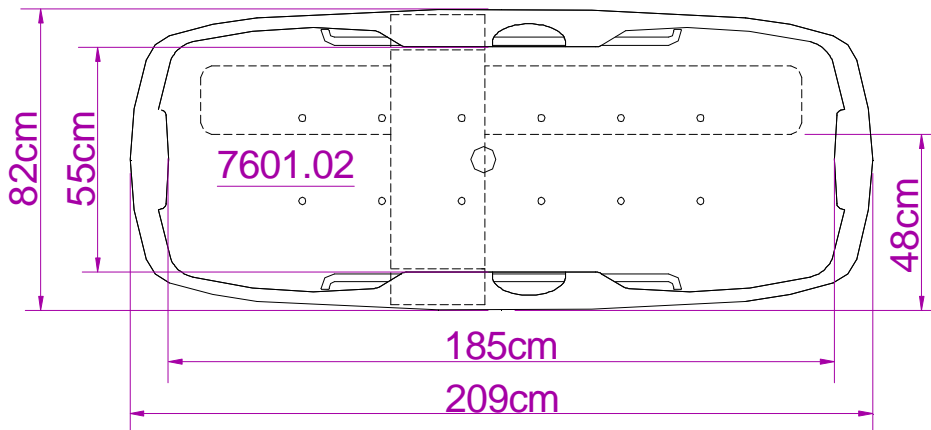
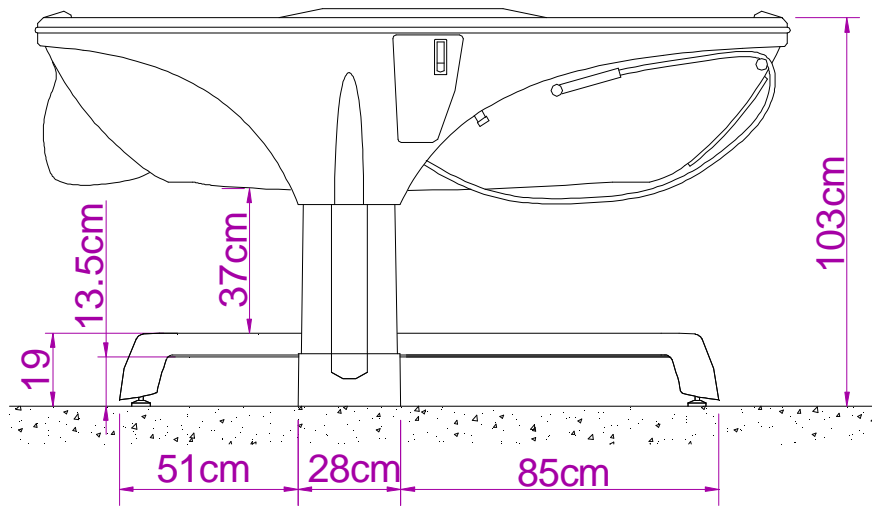
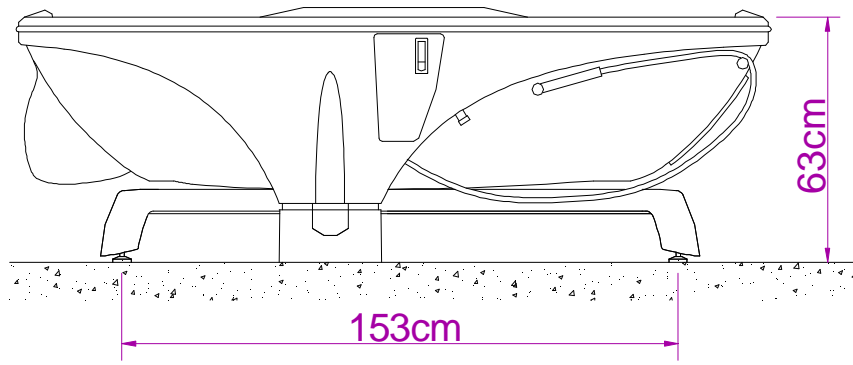
## TOP VIEW



## RIGHT VIEW



# DIMENSIONS



## TECHNICAL SPECIFICATIONS

### MODELS :

7601.01 Bagheera with control panel on the right.

7601.02 Bagheera with control panel on the left.

### OPTIONS :

7600.20 Air whirlpool with integrated heater.

7600.30 «Frame foot»

7600.60 Chromotherapy.

7600.70 Aromatherapy.

7600.80 Musicotherapy

### GENERAL :

Reinforced fiberglass tub.

Lifting range: 40 cm

Inside length: 185 cm

Inside width: 55 cm

Depth: 42 cm

Maximum weight of the patient: 200 kg

Weight of the bathtub: 160 kg

Filling time (under 3 bars): 6 min

Draining time: 5 min

Rising time of the tub: ~20 s

### ELECTRICITY :

General electric feeding: 220/230V, 50hz.

Power: 400W for 7601.01/02 and 1150W with whirlpool option.

Pump of air whirlpool: 230V, 50hz, 500W + heater 250W.

### PLUMBING :

“Rada Sense” bath & shower concealed digital mixing valve offering programmable max, min & default temperatures, automatic temperature on outlet selection, duty flush and thermal disinfection with datalogging capabilities.

Solar temperature displays.

3/4” hot and cold water feedings.

Ø 50mm draining.

2 liters tank of disinfectant.

Disinfection and cleaning showers with pawls.

Disinfection system by bactericide suction.

### UP/DOWN :

2 electric jacks (24V), stroke 400mm and 2 gas jacks.

### SAFETY SYSTEMS :

Anti-crushing device in case of pressing on the frame foot.

Automatic filling stop by setting of filling time.

### COMFORMITY

Electric standard: EN 60601-1.

Electromagnetic compatibility standard: EN 60601-1-2

## SAFETY INSTRUCTIONS AND WARNINGS

Do not attempt to use this bathing system without first understanding this manual.

To ensure safe operation, carefully read this entire manual, especially the section on "Safety Instructions and Warnings", before installing, operating, or servicing this equipment.

If anything is not completely understood, please contact Reval for more details.

Failure to comply with warnings in this manual may result in injury.

Keep this manual with the tub and refer to it as required. Contents of this manual are subjected to change without prior notice to users.

- The Bagheera bathing system must be installed by a contractor or a certified installation technician.
- DO NOT try to lift the tub.
- DO NOT place limbs or lay underneath the tub during lowering function.
- DO NOT operate the air whirlpool pump without water.
- DO NOT pull on the shower head too forcibly.
- DO NOT immerse the shower handset in water.
- DO NOT place any object underneath the tub.
- DO NOT adjust the water temperature over 43°C in the presence of patient.
- **DO NOT use any electrical appliances near the tub.**
- **DO NOT use any electrical appliances (hair dryer or electric razor, ...) while in the tub.**
- DO NOT force controls or taps.
- **DO NOT use or turn the disinfection shower on the patient.**
- ALWAYS perform a daily check before using the bathing system.
- Each client should be assessed for his or her ambulatory capability to ensure the clients safety when entering and exiting the bathing system. (Ability to utilize handgrips, correct entry height, etc.)
- ALWAYS be prepared before transferring a patient into the tub.
- **ALWAYS check the water temperature before the patient enters the tub or to use the cleaning shower.**
- Clean bathtub after each use.
- Disinfect bathtub between each use.
- All valves should be closed after bathing is completed.
- When using disinfectant, wear rubber gloves and eye protection. In case of eye or skin contact, follow the procedures on the disinfectant container.
- A weekly safety check should be performed to ensure all hoses, pipes, connections and securing devices are in safe working order.
- Keep all tub components clean and dry.

## DIRECTIONS FOR USE

### UP/DOWN

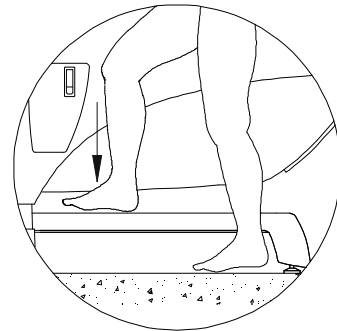
**Before going up or going down the bathtub, check if an object is not in this situation there.**

In order to change the height of the tub, use the buttons located on the control panel :



### ANTI-CRUSHING DEVICE

If an object or the foot of a user is by inadvertence between the blue frame foot and the bathtub and that the bathtub goes down, the object or the foot of the user actuates a switch which cuts the descent of the bathtub immediately.



### PLUG OPERATION

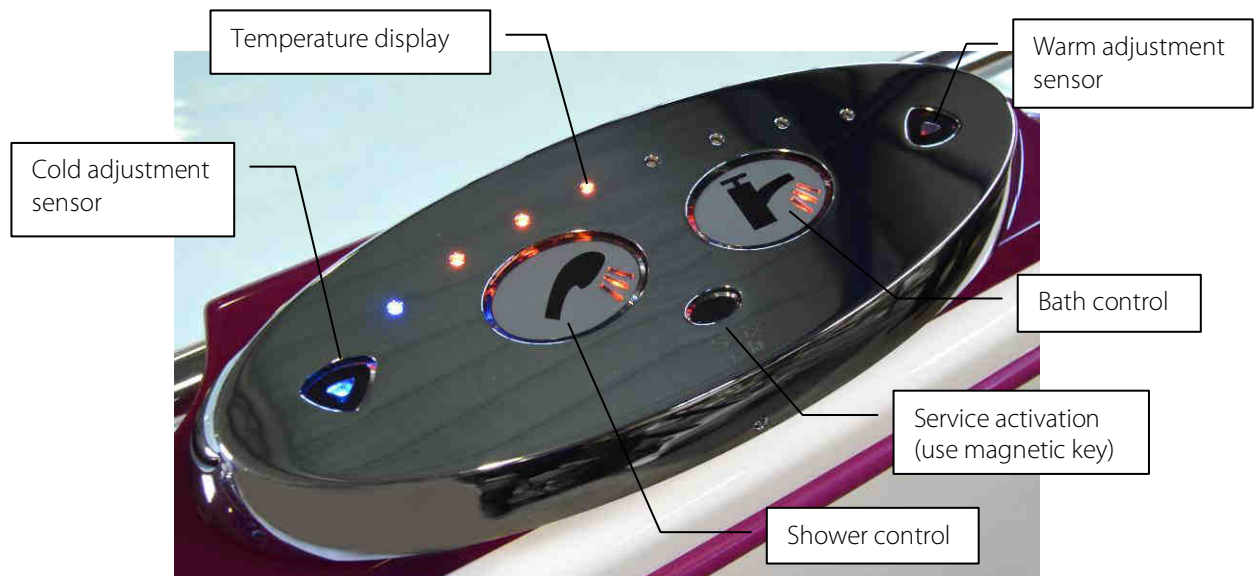
Turn the button in a clockwise direction to close the drain plug and counter clockwise to open it.



## DIRECTIONS FOR USE

### CONCEALED DIGITAL MIXING VALVE RADA SENSE

To adjust the water temperature,, pass your finger in front of the cold water sensitive captor (blue triangle) or in front of the hot water (red triangle) according to the temperature desired.



The max. temperature of bath is pre-set at 40°C.  
The max. temperature of cleaning shower is pre-set at 38°C.  
Automatic stop filling after few minutes for desired height of water.  
Automatic stop of the cleaning shower after 5 minutes.

**Check water temperature before each submersion.**

### TEMPERATURE DISPLAYS





## DIRECTIONS FOR USE

### BATH FILL

Pass your hand in front of the sensor touch to start filling of the tub.  
The filling stops automatically when the water reaches the stainless steel support rail.

It is possible at any time to stop the filling by passing your hand in front of the sensor.



### CLEANING SHOWER HANDSET

**Check, water temperature, before each use.**

Pass your hand in front of the sensor touch to feed the hand shower.  
The hand shower is equipped with a trigger.

For security reasons the water feeding will be cut off automatically after 5 minutes of operation.

It is possible at any time to stop or restart the power of the hand shower by passing your hand in front of the sensor.

It is possible to adjust the pressure of the hand shower by closing or opening slightly the ¼ turn valve located at the end of the hose.



### DISINFECTION SHOWER HANDSET

The disinfection shower is identified thanks to a red label "disinfection shower" and a yellow flexible.

The disinfection shower allows the disinfection of the bathtub after each use and is connected to a disinfectant tank (see: disinfection system). The disinfectant product is sucked automatically pressing on the pawl.

The disinfection shower is fed with cold water for a better effectiveness of the disinfectant product.

A ¼ turn valve regulates the flow rate and cuts off the supply of the hand shower.



**After using the shower, do not forget to turn off the 1/4 turn stopcock.  
(a shower under pressure being much more fragile).**

**Do not use the disinfection shower on the patient.**

**Wait in order to respect the action time prescribed in accordance with the disinfectant used.  
15 minutes for the BFR4.0 disinfectant**

Rinse the tub with the cleaning shower after disinfection.

## DIRECTIONS FOR USE

### DISINFECTION SYSTEM

#### **COMPOSITION :**

The bath is equipped with an automatic system to determine the quantity of disinfectant.

The disinfection system includes :

- 1x 2 litres tank receiving the disinfectant product.
- 1X plunger with calibrated tube, located in the tank, and connected by a flexible going through the top of the venturi.
- 1 disinfection shower.

#### **ADDITION OF DISINFECTANT :**

##### **Dilution :**

The mixing of water and disinfectant inside the disinfection shower is made in 2 stages :

##### **First :**

Manual dilution inside the tank.

##### **Second :**

The suction device (venturi) ensures a dosage of 10% of the aspirated product from the tank.

##### **Exemple :**

The disinfectant BFR 4.0 must be used with a final dilution of 0,4%.

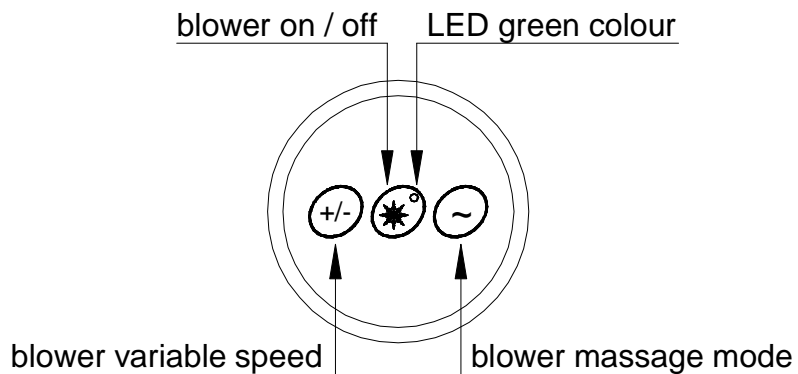
- 1) Manual dilution inside the tank at 4%, that is 80ml of BFR 4.0 for 1920ml of water.
- 2) Complementary dilution of 10% ensured with **cold water** by the suction device (venturi).

Once the diluted product is added to the tank, any unused solution will need to be discarded and refreshed after one week.
--

## DIRECTIONS FOR USE

### AIR WHIRLPOOL ( IN OPTION)

That is injection of air under pressure with adjustable flow through 12 nozzles equipped with anti-return valve and set at the bottom of the tub.



**Auto switch off** : 30 minutes after the user operates one of the buttons the last time, the blower will switch OFF automatically.

**Drying cycle** : 30 minutes after manual or auto switch OFF, the blower starts up at High Speed for 2 seconds. Then it drop to Low Speed and increase gradually to High Speed within half a minute. Then it continues running 4 or 5 minutes at High Speed.

### CHROMOTHERAPY (IN OPTION)

The chromotherapy option consists of 4 LED lamps and 1 control button.

The control button has 3 following functions : On/Off / Automatically alternate of 7 colours / Colour fixed.

Push one time on the button to turn on the lamps.

The colours of the lamps automatically alternate during 1 minute for each colour.

Push another time on the button in order to fix the actual colour.

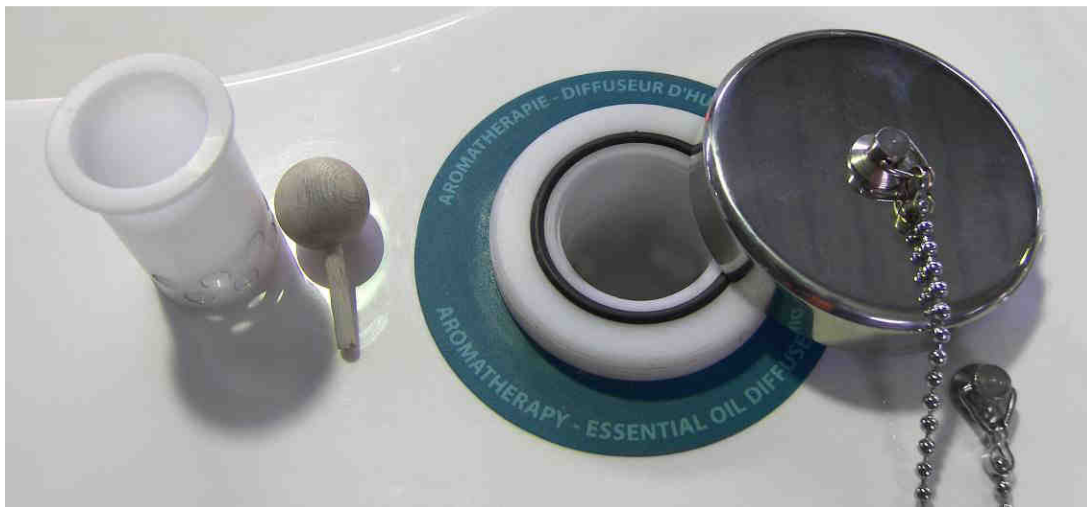
Push another time on the button to turn off the lamps.



## DIRECTIONS FOR USE

### AROMATHERAPY (IN OPTION)

Reval give all areas of patient well being and safety careful consideration. Its unique "Aromatherapy" system combines the benefits of hydro-massage with the relaxing aromatic effects, of infused aroma essence, providing the ultimate bathing and rehabilitation experience. The "Aromatherapy" system is compressed heated fresh air technology, which infuses aroma therapy oils at temperature into the hydrotherapy air jet which explodes into the bath water delivering controlled therapy with sensual and relaxing aromas assuring a totally unique and wonderful experience. Reval's new "Aromatherapy" system has an ultra safe auto-clean function which self dries and cleans the internal air ducting pipe work after use automatically. The auto-clean function significantly reduces the risk and development of micro-biological organisms that can develop in humid and wet environments. Reval's unique air ducting system can be dismantled without the need for tools and can be termically cleaned during routine servicing in a matter of minutes.



#### TO OPERATE:

1. Simply remove the chrome cap, take the wooden spatula, soak in aromatherapy oil and replace it in to the essence well. Replace the chrome cap) finger tight). Do not over tighten!
2. Switch the Aromatherapy system on via the circular control panel. Once up to temperature the heated air infuses with the aroma oil and releases its fragrance into the water via the diffuser jets positioned in the bottom of the bath tub. The aroma is carried inside the bubbles and explodes on contact with the water releasing the sensual aromatic fragrances in to the air.
3. For extended use switch off and re-soak the spatula as described in points 1&2.
4. The hydro Aromatherapy has an alternating intensity function. To activate this potion press the ~ button on the control panel. The intensity will increase and decrease automatically providing needed therapy without sensitivity and discomfort for those with sensitive joints and skin conditions.
5. The intensity can also be set at a fixed pressure for those who enjoy the continuous sensation and work-out. To fix the intensity level simply press the + or – button on the control panel until the desired intensity has been found.
6. To switch off press the middle button on the control panel marked 1/0.
7. The Aromatherapy system has a self cleaning function called "Auto Clean" Once the system has been switched off the status LED on the On/Off button changes from ON to Intermittent flashing. This indicates that the system has gone into stand-by mode and will automatically switch on again and run for 5 minutes self drying any build up of humidity in the internal hydro plumbing system. After five minutes the system will shut down.

## DIRECTIONS FOR USE

### AUDIO SPA (IN OPTION)

The "Audio spa" option consists of two loudspeakers, a waterproof amplifier, a 12V waterproof power supply, and waterproof control panel.

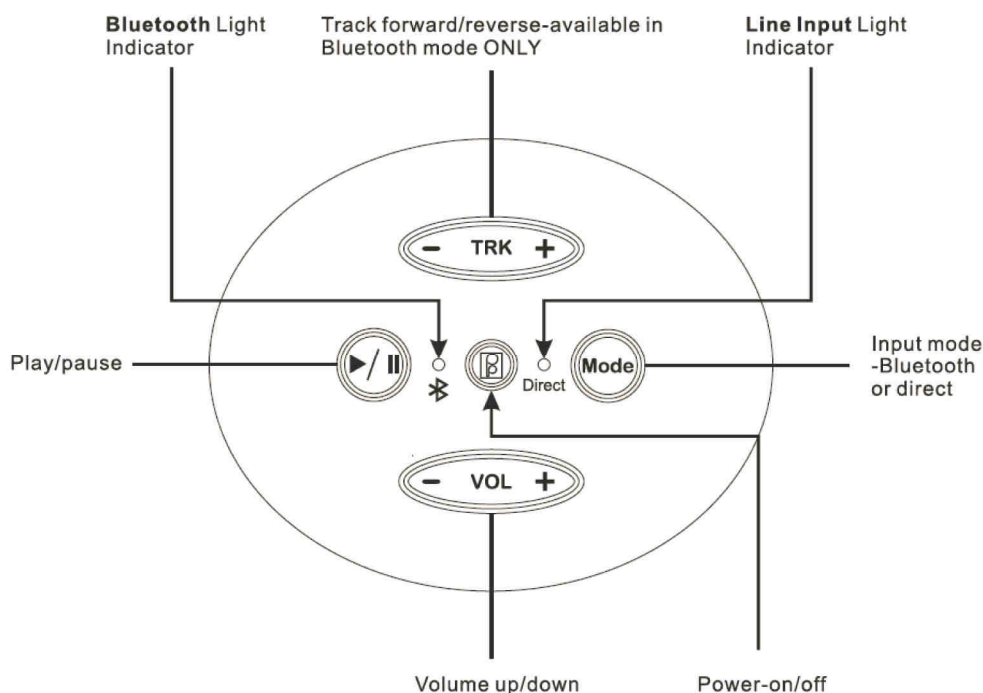
#### Operation :

- 1°) Turn on the amplifier, Press MODE button to select Bluetooth function of your amplifier.  
(Bluetooth light indicator should be blinking blue)
- 2°) Turn on Bluetooth function of your mobile or music device.
- 3°) On your music device, click search for Bluetooth device. Make sure you are close enough to the amplifier.
- 4°) Select "PPGME60" from the pairing list.
- 5°) Enter "6000" as the password (if required). If "6000" does not work, please try "60BT".
- 6°) Click "Connect".
- 7°) Once connected, you can now start playing your favorite music from your music device.
- 8°) Operating Range is up to 9m. (will vary, dependent on installation)

To guarantee the longevity of the amplifier, think to switch off it by pressing on the button "On / off".

Respect the legislation.

#### Control panel operation :



## INITIALISATION PROCEDURE FOR HI/LO ELECTRIC ACTUATORS

Press simultaneously on both buttons of the handcontrol.

We hear a continuous "beep" of the controller at the level of the foot of the bathtub.

At the end of about ten seconds, the "beep" changes and becomes intermittent. At this moment, press alternately on a button, then on the other one, to activate every jack alternately in descent only.

To lower every jack of some centimeters every time.

When the "beep" stops in low position, the bathtub is reset.

## PERIODIC INSPECTION

1) Periodic inspection of the bathtub should be undertaken at the time intervals stated by the manufacturer, but at least once a year. By periodic inspection is meant a visual examination on all the functions of the bathtub and particularly on the safety systems (anti-crushing device, emergency stops,...)

Every inspection should include a working load of one (1) lifting cycle with the maximum load.

2) Periodic inspection should be performed by a person who is suitably and properly qualified and well acquainted with the design, use and care of the bathtub. The scope of the periodic inspection should be included in the manual supplied with the bathtub.

3) Any observations of importance for the safety of the bathtub should be noted, preferably in a logbook which should be retained by the person (s) responsible for the servicing / maintenance of the bathtub.

The date when corrective actions are taken, in response to noted observations, should also be noted in the logbook.

4) A record of the date of inspection of the bathtub and inspection result should be noted in the logbook together with the signature of the inspector.

5) If periodic inspection reveals any defect, wear or other damage that jeopardises the safety of the bathtub, the owner should immediately be notified.

In the event of immediate danger to safety, the bathtub should immediately be taken out of service. It may then not be used until the deficiency has been eliminated.

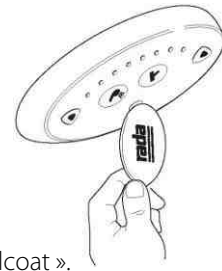
6) Defects and damages of importance to the safety of the bathtub that have occurred between inspections and have already lead to corrective actions should be entered in the logbook.

7) Defects and damages should be reported back to Reval for action.  
This feedback should be reported in the logbook.

## CLEANING / MAINTENANCE

### CLEANING OF BATHTUB AND CONTROL PANEL

In order to clean the tub & control panel, take the magnetic key and pass it in front of the infra-red of the control panel to deactivate it. This will disable the sensors for 30 minutes or until the magnetic key is reapplied. To reactivate the control panel, do the inverse operation.



- Only use liquid products (liquid soap).

- Don't use abrasive products like « scouring cream » to avoid scratches on the tub surface « Gelcoat ».  
- Furthermore, to eliminate calcareous marks settled by water, Reval recommends to use the scaler (Gel Servex).

**Do not swill down the outside of the tub.**

### CLEANING OF THE HOT AND COLD WATER FILTERS

These filters are located at the hot and cold water inlet.

- 1) Stop the water feeding of the bath.
- 2) Dismount the filter tank with a claw key.
- 3) Take the filter out.
- 4) Clean the filter (in case of calcareous deposit, use the appropriate scaler and rinse with clean water).
- 5) Reassemble the parts.

### CLEANING OF THE AIR WHIRLPOOL SYSTEM

-For the efficient functioning of the whirlpool system, the nozzles have to be cleaned on a regular basis ( at least once a year).

-Functioning of a whirlpool's nozzle. Air is blown through the nozzle and is discharged under the chromed air jet cap.

-There is a risk of heating the air jet cap if the nozzles are not regularly cleaned. Layers of soap or deposit can hinder the circulation of the air. To clean the nozzles, please follow the next stages :

#### **1<sup>ère</sup> Stage :**

Switch off the whirlpool option and empty the bath.

#### **2<sup>ème</sup> Stage :**

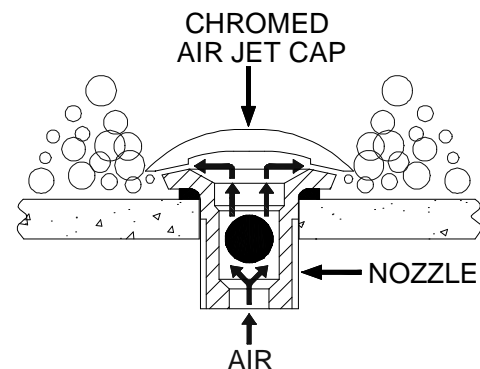
Unscrew the air jet cap.

#### **3<sup>ème</sup> Stage :**

Clean the chromed air jet cap, the nozzle and the ball. Then reposition the air jet cap on the nozzle.

#### **4<sup>ème</sup> Stage :**

Check that it is correctly positioned on the nozzle. Switch on the bath and the whirlpool system to check they are working properly.





# MAINTENANCE FORM (LOGBOOK)

Control date	Safety parts (anti-crushing device)	Tests Hi/Lo tub	Observations	Corrections	Agent (name and signature)



**FRANCE :**

Reval®

Z.A. Fief des Prises

Usseau 17220 Sainte Soulle

Tel: (33) 05.46.42.04.16

Fax: (33) 05.46.43.06.38

[www.groupe-reval.com](http://www.groupe-reval.com)

**UNITED KINGDOM :**

Reval® Continuing Care Limited

Unit 17 Brynmenyn Busines Centre

St Theodore's Way - Brynmenyn

CF32 9TZ BRIDGEND - WALES

Tel: 01656 721 001

Fax: 01656 720 006

[www.reval-group.com](http://www.reval-group.com)