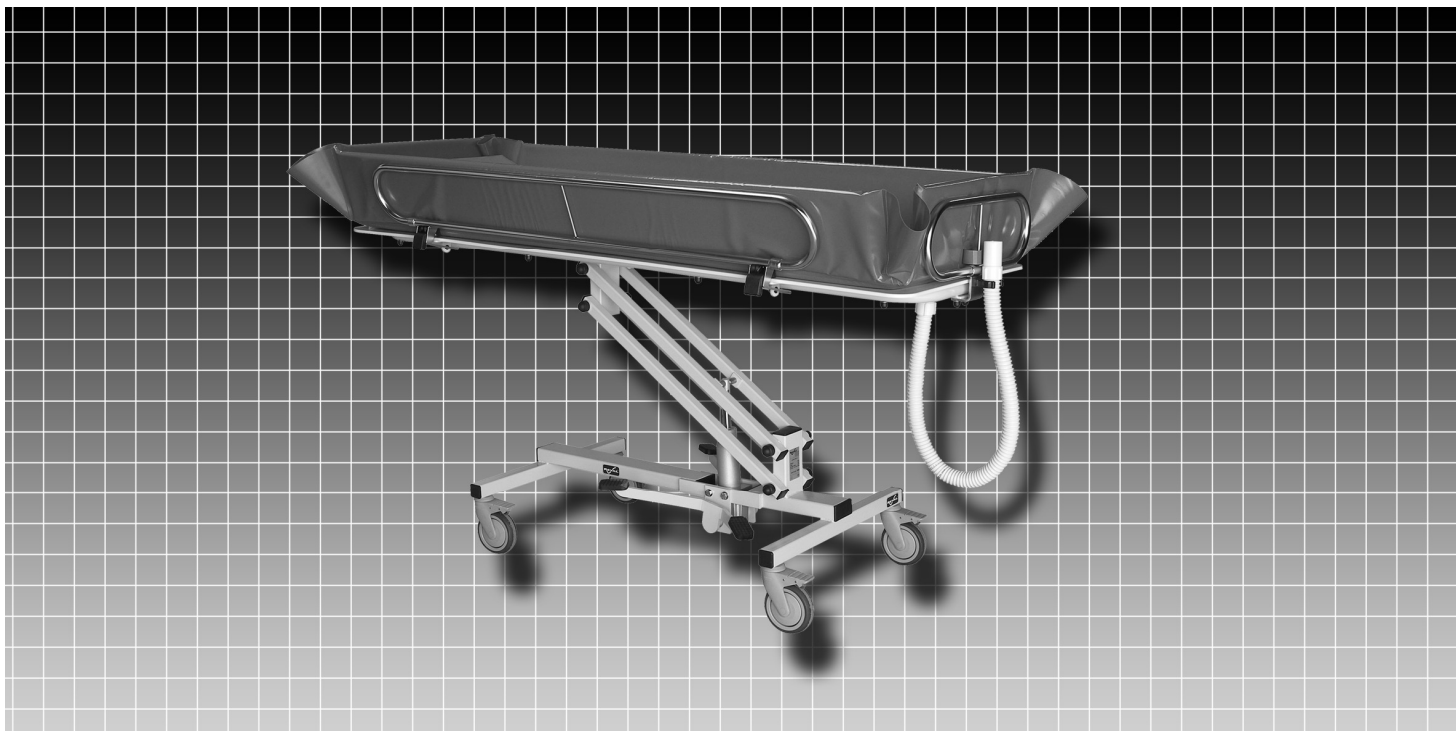


EN Instruction manual



SHOWER TROLLEY with hydraulic height adjustment

CRYSTAL

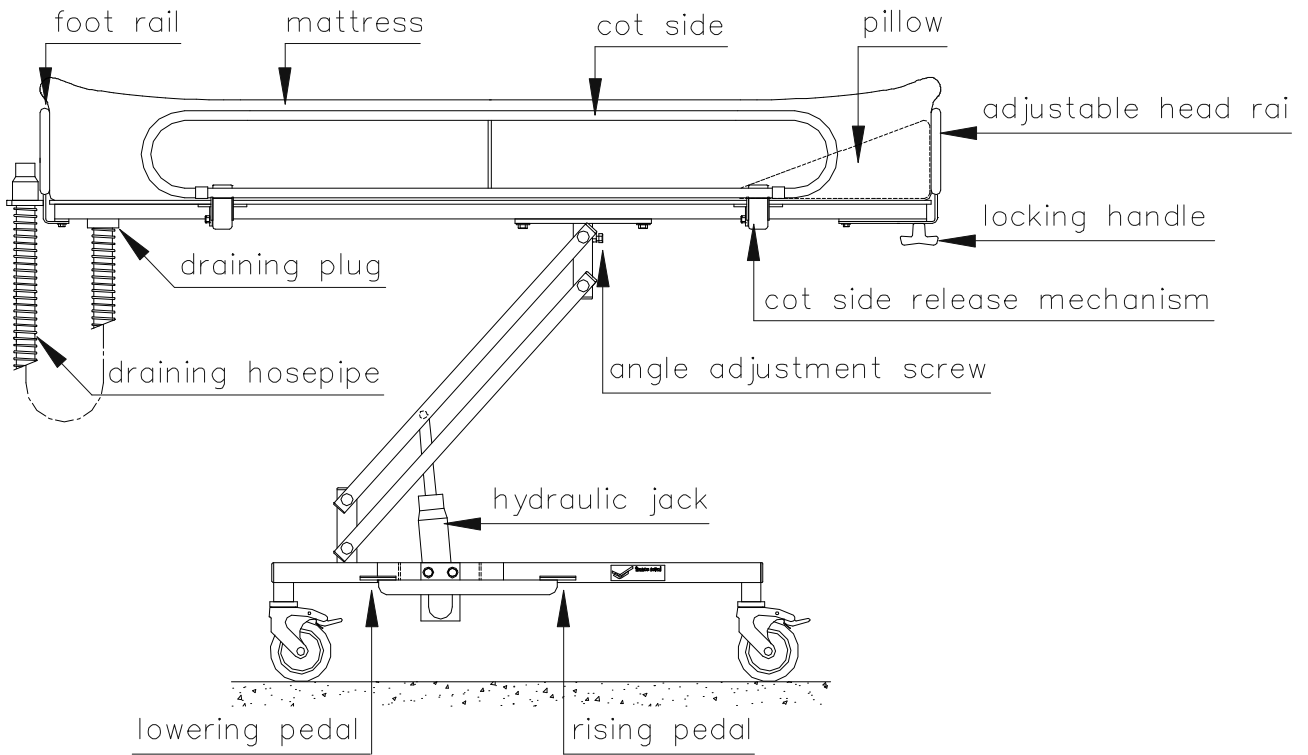
3700.00

3700.20

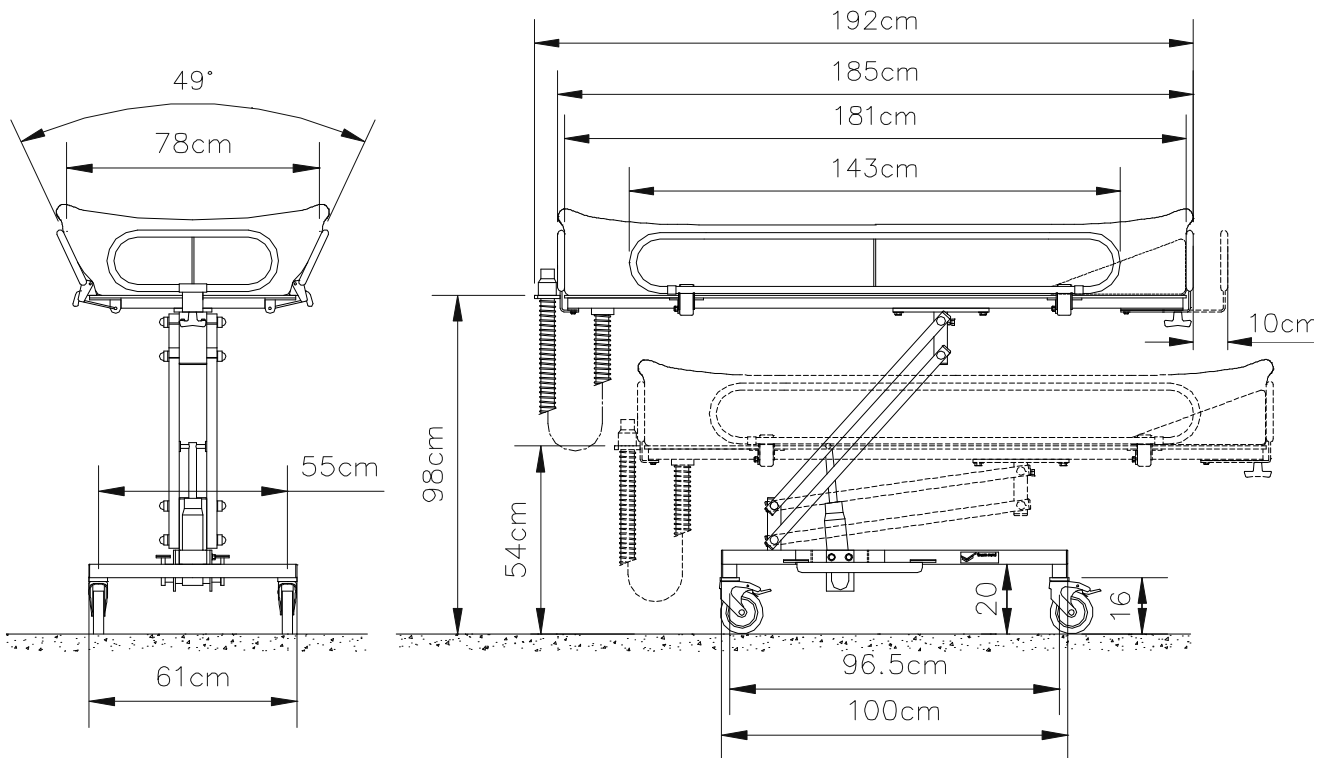
SUMMARY

CONTENTS	PAGES
GENERAL DRAWING	2
-----	-----
DIMENSIONS	2
-----	-----
TECHNICAL SPECIFICATIONS	3
-----	-----
OPERATION	3
-----	-----
RANGE OF APPLICATION	4
-----	-----
DIRECTIONS FOR USE	
TRANSFER FROM A BED	5
FORWARDING OF A PATIENT	5
TOILET OF THE PATIENT	5
-----	-----
PERIODIC INSPECTION	6
-----	-----
MAINTENANCE	
CLEANING	7
DISMANTLING OF THE MATTRESS	7
-----	-----
MAINTENANCE FORM (LOGBOOK)	8
-----	-----

GENERAL DRAWING



DIMENSIONS (3700.00)



TECHNICAL SPECIFICATIONS

VERSIONS:

REF. 3700.00 Shower Trolley "CRYSTAL" with hydraulic height adjustment.(192cm)

REF. 3700.20 Shower Trolley "CRYSTAL" with hydraulic height adjustment.(children model)(172cm)

FRAME:

- Steel frame, grey colour, anti-corrosion coated.
- 4 wheels with brake .
- Hydraulic jack with bilateral foot control.

PLATFORM:

- Platform in white « Polypropylen » (unbreakable).
- Automatic variation in incline.
- Screw for slope adjustment.
- Stainless steel lateral barriers with automatic safety closing.
- Foot safety rail in stainless steel.
- Head safety rail in stainless steel with adjustable length on 10cm.

MATTRESS:

- Waterproof removable mattress, in soft PVC.
- Central draining at the feet end.
- Waste water by flexible pipe Ø40mm
- Triangular pillow

PERFORMS:

- Variable height (platform): 54 to 98 cm
- Load capacity: 160 kg

WEIGHT:

- 60 kg (3700.00)
- 55 kg (3700.20)

CONFORMITY:

- 93/42/CEE (Medical devices)
- NF EN 12182 (Technical aids fir disabled persons)
- NF EN 1441 (Risk analysis)

OPERATION

The hydraulic shower trolley allows, thanks to the hydraulic jack and the High/Low pedals located on each side, to adjust the height of platform.

RANGE OF APPLICATION

The hydraulic shower trolley has been designed to optimise ergonomics of the toilet in combining comfort and safety for the patient and nurse.

The shower trolley must be used only by qualified people who have read and understood the user manual.

The shower trolley is intended to be used only for transfer and wash patient.

The shower trolley has a maximum lifting capacity of **160 kg**.

The shower trolley must be used only together with mattress designed for this type of shower trolley.

! The manufacturer will not be responsible if the product is used, changed or assembled in other way than prescribed in this manual.

DIRECTIONS FOR USE

1- TRANSFER FROM A BED

- Fold down the safety barriers under the shower trolley, pivoting in the same time the both blocks opening the rail.
- Bring the trolley above the mattress of the bed: Press on the rising pedal.

TAKE CARE !

Check that the platform is correctly locked on its support so that it cannot tilt during transfer of patient.

- Bring the trolley near the bed, the mattress is partly on the bed.
- Lower the trolley pressing on the lowering pedal in order to squeeze the mattress of the bed.
- Interlock the brakes.
- Proceed to the patient's transfer.

2- FORWARDING OF THE PATIENT TO THE BATHROOM :

- Once the patient transfer made, put the pillow under the head of the patient.
- Unblock the brakes and separate the shower trolley from the bed.
- Rise the safety barriers engaging the 2 safety blocks.
- Proceed to patient forwarding.

3- TOILET OF THE PATIENT:

- Install the shower trolley in such a way that the draining located on the patient feet side be above :
a used water receptacle provided for this purpose.
 - or - a ground trap.
 - or - a shower cabinet, a bathtub, a bidet ...
- Lock the brakes so that the shower trolley is completely immobile.
- Adjust the height of the shower trolley through the pedal in such a way that the working conditions be optimized.
- Wash the patient. To wash one's hair, inverse the triangular pillow under the neck of the patient.
- Once the toilet finished, the patient can be dried and dressed on the shower trolley.
- Return to the bedroom is made on the same way than the forwarding to the bathroom.

TAKE CARE !

The side barriers are barriers of protection, on no account the patient has to take support above during the toilet.

PERIODIC INSPECTION

1) Periodic inspection of the shower trolley should be undertaken at the time intervals stated by the manufacturer, but at least once a year. By periodic inspection is meant a visual examination (particularly of the shower trolley's load bearing structure and lifting mechanism with attachments, brakes, controls, safety devices and person-support devices) and whatever function tests and maintenance measures may be required, e.g. adjustment of brakes, tightening of fasteners.

Every inspection should include a working load of one (1) lifting cycle with the maximum load.

2) Periodic inspection should be performed by a person who is suitably and properly qualified and well acquainted with the design, use and care of the shower trolley. The scope of the periodic inspection should be included in the manual supplied with the shower trolley.

3) Any observations of importance for the safety of the shower trolley should be noted, preferably in a logbook which should be retained by the person (s) responsible for the servicing/maintenance of the shower trolley.

The date when corrective actions are taken, in response to noted observations, should also be noted in the logbook.

4) A record of the date of inspection of the shower trolley and inspection result should be noted in the logbook together with the signature of the inspector.

Any detachable rigid body support units included in the inspection should be plainly marked for identification and noted in the logbook. The record should include the situation of use (home or type of institution etc...)

5) If periodic inspection reveals any defect, wear or other damage that jeopardizes the safety of the shower trolley, the owner should immediately be notified.

In the event of immediate danger to safety, the shower trolley should immediately be taken out of service. It may then not be used until the deficiency has been eliminated.

6) Defects and damages of importance to the safety of the shower trolley that have occurred between inspections and have already lead to corrective actions should be entered in the logbook.

7) Defects and damages should be reported back to Reval for action. This feedback should be reported in the logbook.

MAINTENANCE

1- CLEANING :

It is recommended to clean the mattress and the top of the shower trolley after each use.
Don't use abrasive products like "Scouring cream".
Only use liquid products (liquid soap).

DO NOT SWILL DOWN THE METALLIC PARTS AND ELECTRICAL EQUIPMENT.

For the disinfection of the shower trolley, Reval recommends to use BFR 4.0. (manual available on demand).

2- DISMANTLING OF THE MATTRESS :

- Unscrew the draining pipe located on the feet side of the trolley.
- Proceed in the opposite order to "Installation of the mattress".

Mattress have been designed to resist to numerous uses. However, in case of tears, it is necessary to replace the mattress in order to avoid water infiltration in the foam and so, its decomposition.

ADJUSTMENT OF THE TOP SLOVE

The trolley shows a slope allowing to drain water. This slope can be adjusted thanks to 2 screws located under the top at the level of the joint square of the parallelogram (rep2).

- Screw to minimize the slope.
- Unscrew to increase it.

MAINTENANCE FORM (LOGBOOK)

Control date	Reference of the sling	Tests (160kg)	Observations	Corrections	Agent (name and signature)



FRANCE :

Reval®

Z.A. Fief des Prises

Usseau 17220 Sainte Soulle

Tel: (33) 05.46.42.04.16

Fax: (33) 05.46.43.06.38

www.groupe-reval.com

UNITED KINGDOM :

Reval® Continuing Care Limited

Unit 17 Brynmenyn Busines Centre

St Theodore's Way - Brynmenyn

CF32 9TZ BRIDGEND - WALES

Tel: 01656 721 001

Fax: 01656 720 006

www.reval-group.com