



EN Instruction manual



SHOWER TROLLEY with electric height adjustment

CRYSTAL

3860.00
3860.01
3860.20



SUMMARY

CONTENTS	PAGES
GENERAL DRAWING	2

DIMENSIONS	2

TECHNICAL SPECIFICATIONS	3

RANGE OF APPLICATION	4

OPERATION	5

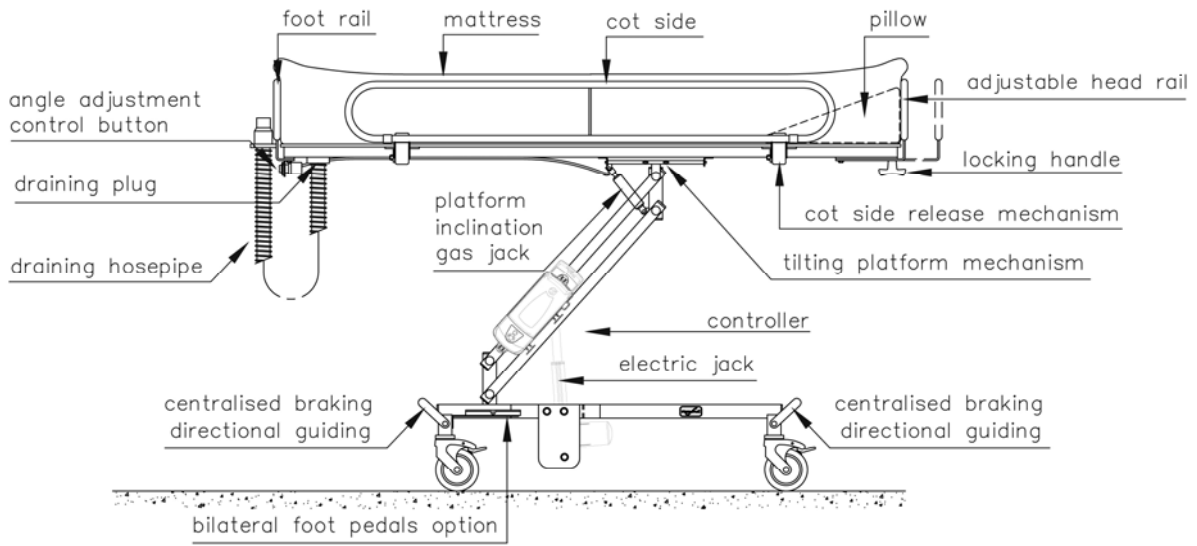
DIRECTIONS FOR USE	
TRANSFER FROM A BED	6
FORWARDING OF A PATIENT	6
TOILET OF THE PATIENT	6
EMERGENCY STOP	6
EMERGENCY LOWERING	6
REPLACING THE BATTERY	7
RECHARGE OF BATTERY	7

PERIODIC INSPECTION	8

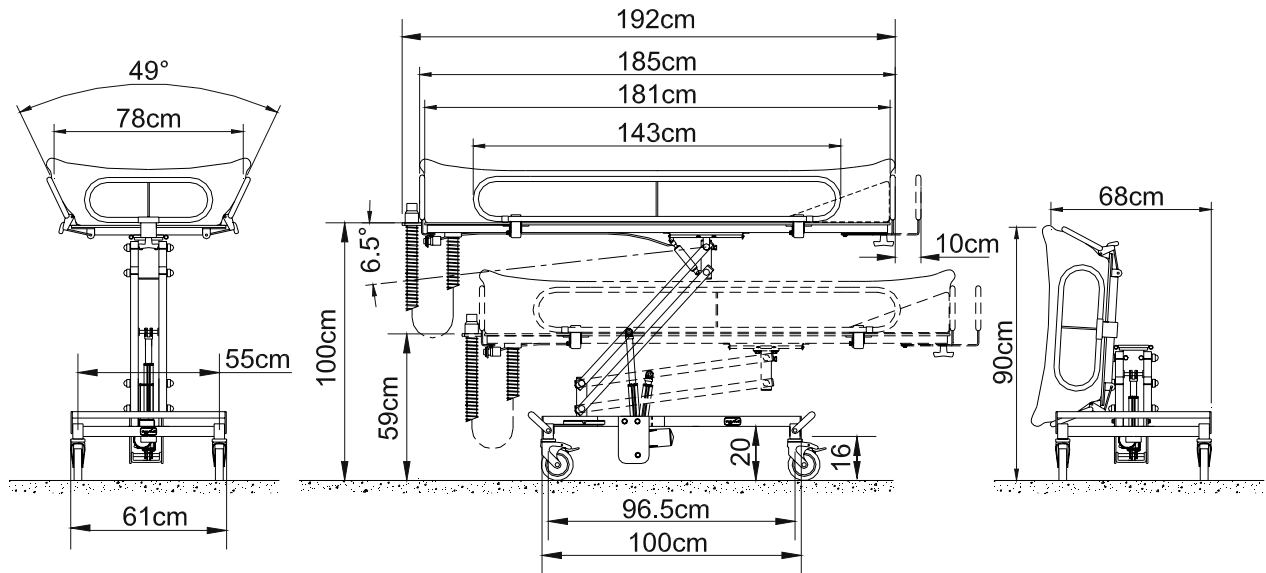
MAINTENANCE	
CLEANING	9
DISMANTLING OF THE MATTRESS	9

MAINTENANCE FORM (LOGBOOK)	10

GENERAL DRAWING



DIMENSIONS



TECHNICAL SPECIFICATIONS

VERSIONS:

- REF. 3860.00** Shower Trolley "CRYSTAL" with electric height adjustment.(192cm)
REF. 3860.01 Shower Trolley "CRYSTAL" with electric height adjustment.(202cm)
REF. 3860.20 Shower Trolley "CRYSTAL" with electric height adjustment.(children model)

OPTION:

- REF. 3860.91** Bilateral foot pedals
REF. 3860.93 Battery

FRAME:

- Steel frame, grey colour, anti-corrosion coated.
- 4 wheels with brake Ø100mm.
- Centralised braking.
- Directional guiding.
- Electric jack with handcontrol or bilateral foot control (in option).

PLATFORM:

- Platform in white « Polypropylen » (unbreakable).
- Lateral rocking of platform for cleaning and tidying.
- Variation in incline by gas jack with button control.
- Stainless steel lateral barriers with automatic safety closing.
- Foot safety rail in stainless steel.
- Head safety rail in stainless steel with adjustable length on 10cm.
- Edge protections.

MATTRESS:

- Waterproof removable mattress, in soft PVC.
- Central draining at the feet end.
- Waste water by flexible pipe Ø40mm
- Triangular pillow

PERFORMS:

- Variable height (platform): 59 to 100 cm
- Platform inclination angle : 0° to 6.5°
- Load capacity: 160 Kg
- Working capacity : 40 up/down with 130 Kg
- Battery 24V CC- 2.9Ah – power 10A under 24V CC

WEIGHT:

- 70 kg

CONFORMITY:

- 93/42/CEE (Medical devices)
- NF EN 12182 (Technical aids for disabled persons)
- NF EN 1441 (Risk analysis)

RANGE OF APPLICATION

The electric shower trolley has been designed to optimise ergonomics of the toilet in combining comfort and safety for the patient and nurse.

The shower trolley must be used only by qualified people who have read and understood the user manual.

The shower trolley is intended to be used only for transfer and wash patient.

The shower trolley has a maximum lifting capacity of **160 kg**.

The shower trolley must be used only together with mattress designed for this type of shower trolley.

! The manufacturer will not be responsible if the product is used, changed or assembled in other way than prescribed in this manual.

OPERATION

UP/DOWN

To rise the platform, press on the button ▲ or ▼ of the handcontrol or the pedal (3860.91 option).

CENTRALISED BRAKING /DIRECTIONAL GUIDING

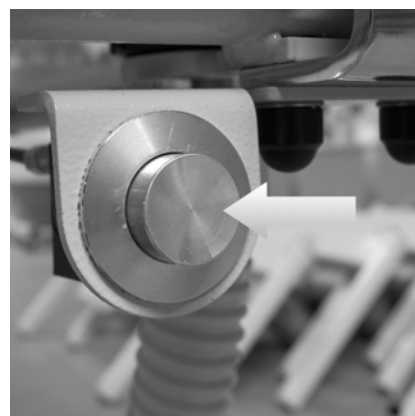
The both stainless steel braking bar are located on each end of the frame. Each bar has 3 positions :

- Lower position : braking
- Middle position : free
- Upper position : directional guiding



PLATFORM INCLINATION

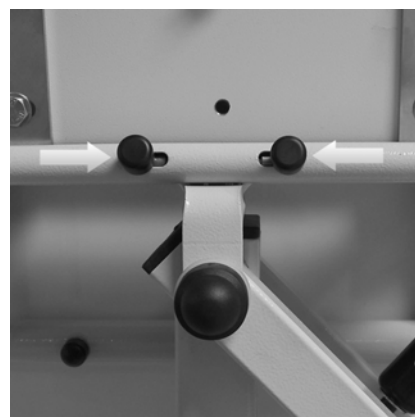
The platform can be inclined thanks to control button. Located under the platform near the draining pipe fixation. Maintain the platform then push on the button to incline or rise the platform.



TIDYING OF THE SHOWER TROLLEY

The 3860.00 shower trolley is supplied with a rocking platform. It allows an easier tidying.

- Interlock the brakes located on the wheels.
- Rise the safety barriers engaging the 2 safety blocks.
- Take the 2 safety stops located under the platform.
- Bring them and keep them in middle position.
- Finally, lift the platform and fold it back at the maximum.



Totally fold back the platform such as it will not be back in the initial position.

DIRECTIONS FOR USE

1- TRANSFER FROM A BED:

- Fold down the safety barriers under the shower trolley, pivoting in the same time the both blocks opening the rail.
- Bring the trolley above the mattress of the bed: Press on the rising pedal.

TAKE CARE !

Check that the platform is correctly locked on its support so that it cannot tilt during transfer of patient.

- Bring the trolley near the bed, the mattress is partly on the bed.
- Lower the trolley in order to squeeze the mattress of the bed.
- Interlock the brakes.
- Proceed to the patient's transfer.

2- FORWARDING OF THE PATIENT TO THE BATHROOM:

- Once the patient transfer made, put the pillow under the head of the patient.
- Unblock the brakes and separate the shower trolley from the bed.
- Rise the safety barriers engaging the 2 safety blocks.
- Proceed to patient forwarding.

3- TOILET OF THE PATIENT:

- Install the shower trolley in such a way that the draining located on the patient feet side be above :
 - a used water receptacle provided for this purpose.
 - or - a ground trap.
 - or - a shower cabinet, a bathtub, a bidet ...
- Lock the brakes so that the shower trolley is completely immobile.
- Adjust the height of the shower in such a way that the working conditions be optimized.
- Wash the patient. To wash one's hair, inverse the triangular pillow under the neck of the patient.
- Once the toilet finished, the patient can be dried and dressed on the shower trolley.
- Return to the bedroom is made on the same way than the forwarding to the bathroom.

TAKE CARE !

The side barriers are barriers of protection, on no account the patient has to take support above during the toilet.

4- EMERGENCY STOP :

An emergency stop button, located on the control box, allows to stop immediately the highering and lowering functions in case of electric failures.

5- EMERGENCY LOWERING :

If an electric error occurs and the hand control cease to work, the down functions can be emergency operated. This is done by pressing the button located on the control box.

DIRECTIONS FOR USE

6- REPLACING THE BATTERY :

To remove the battery, push on the button located on the side of the control box then push and pull the battery.

7- RECHARGE THE BATTERY :

**The charger must be connected only to a socket with a voltage of 220/230 V located in a dry environment.
The electric recharge of the batteries is prohibited in a bathroom.**

Charging time : ~12 hours for a completely discharged battery

Charging time: ~8 hours for a battery with 50 % capacity

The battery is a plumbic-acid battery and does not need to be maintained.

The life of this kind of battery increases if it is frequently and fully charged.

PERIODIC INSPECTION

1) Periodic inspection of the shower trolley should be undertaken at the time intervals stated by the manufacturer, but at least once a year. By periodic inspection is meant a visual examination (particularly of the shower trolley's load bearing structure and lifting mechanism with attachments, brakes, controls, safety devices and person-support devices) and whatever function tests and maintenance measures may be required, e.g. adjustment of brakes, tightening of fasteners.

Every inspection should include a working load of one (1) lifting cycle with the maximum load.

2) Periodic inspection should be performed by a person who is suitably and properly qualified and well acquainted with the design, use and care of the shower trolley. The scope of the periodic inspection should be included in the manual supplied with the shower trolley.

3) Any observations of importance for the safety of the shower trolley should be noted, preferably in a logbook which should be retained by the person (s) responsible for the servicing/maintenance of the shower trolley.

The date when corrective actions are taken, in response to noted observations, should also be noted in the logbook.

4) A record of the date of inspection of the shower trolley and inspection result should be noted in the logbook together with the signature of the inspector.

Any detachable rigid body support units included in the inspection should be plainly marked for identification and noted in the logbook. The record should include the situation of use (home or type of institution etc...)

5) If periodic inspection reveals any defect, wear or other damage that jeopardizes the safety of the shower trolley, the owner should immediately be notified.

In the event of immediate danger to safety, the shower trolley should immediately be taken out of service. It may then not be used until the deficiency has been eliminated.

6) Defects and damages of importance to the safety of the shower trolley that have occurred between inspections and have already lead to corrective actions should be entered in the logbook.

7) Defects and damages should be reported back to Reval for action. This feedback should be reported in the logbook.

MAINTENANCE

1- CLEANING :

It is recommended to clean the mattress and the top of the shower trolley after each use.

Don't use abrasive products like "Scouring cream".

Only use liquid products (liquid soap).

For the disinfection of the shower trolley, Reval recommends to use BFR 4.0. (manual available on demand).

2- DISMANTLING OF THE MATTRESS :

- Unscrew the draining pipe located on the feet side of the trolley.
- Proceed in the opposite order to "Installation of the mattress".

Mattress have been designed to resist to numerous uses. However, in case of tears, it is necessary to replace the mattress in order to avoid water infiltration in the foam and so, its decomposition.

MAINTENANCE FORM (LOGBOOK)

Control date	Reference of the sling	Tests (160kg)	Observations	Corrections	Agent (name and signature)



FRANCE :

Reval®

Z.A. Fief des Prises

Usseau 17220 Sainte Soulle

Tel: (33) 05.46.42.04.16

Fax: (33) 05.46.43.06.38

www.france-reval.com

UNITED KINGDOM :

Reval® Continuing Care Limited

Unit 15 Brynmenyn Busines Centre

St Theodore's Way - Brynmenyn

CF32 9TZ BRIDGEND - WALES

Tel: 01656 721 001

Fax: 01656 720 006

www.france-reval.com