

Dressing Table

Amber

Comfort, hygiene and safety for perfect patient and personal care.

Fold Away Dressing Table

REF. 7734.00

The 7734.00 dressing table enables persons with a poor sitting balance to be ergonomically dressed or undressed.
The dressing table is attractive, user-friendly & easy-to-maintain.



REVAL
SUSTAINABLE WELL-BEING

Dressing Table

Amber

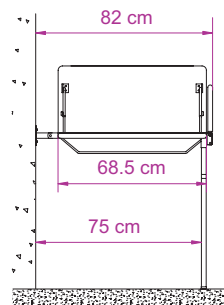
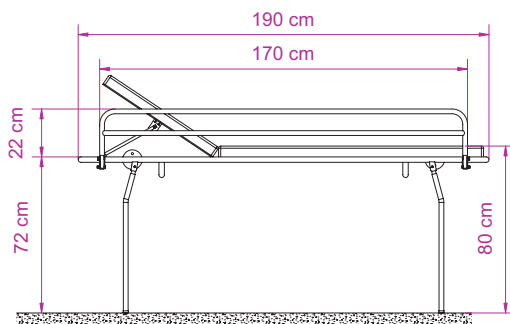


UNIQUE FEATURES

- User friendly.
- Transfer easy.
- Easy to clean.
- Rilsan coating, shockproof.

Fold Away Dressing Table

REF. 7734.00



DESCRIPTION:

- Chassis: steel, electrolytically galvanised.
- Rilsan coating, shockproof.
- Support with leatherette cover.
- 1 folding safety barrier.
- 1 adjustable backrest.
- 2 fold-away legs.
- 1 wall fixation for storing the table against the wall.
- Stainless steel hinges and screws.

PERFORMS:

- Height of the support: 80cm
- Length : 190cm
- Width : 70cm
- Safe Working Load : 135kg
- Weight of the complete unit : 27kg

CONFORMITY:

- 93/42/CEE (Medical Devices Directive)
- NF EN 12182 (Technical aids for disabled persons)
- ISO 14971:2007 (Risk Management for Medical Devices)

